

PRINTING PLANT WASTE HEAT (≈ 3 MW) PUT TO GOOD USE – GAS PREHEATING FOR THE CITY OF GÜTERSLOH



Mohn Media GmbH building in Gütersloh

Initial situation

The company Mohn Media GmbH in Gütersloh supplies heat extracted from its production for gas preheating at the Gütersloh municipal utility.

In municipal gas networks, transmission at high pressure and on-site expansion not only reduce the cross-sections of the gas pipelines, but also save on gas storage.

First and foremost, the gas pressure regulating station (GDRA) serves to reduce pressure; in addition, the tasks of filtering, natural gas preheating and protection of downstream plant components against inadmissibly high or low gas pressure, measurement and recording of the most important parameters as well as odorization of the gas are realized.

ewers supplied for this gas preheating the corresponding district heating transfer station with a total capacity of 3 MW, consisting of a full load module with 2.5 MW and a partial load module with 500 kW, each with a double pump module and secondary heat carrier with proportional ethylene glycol.

Hydraulic diagram and Technical drawing of the station on page 2.

If you have any questions, please do not hesitate to contact us.

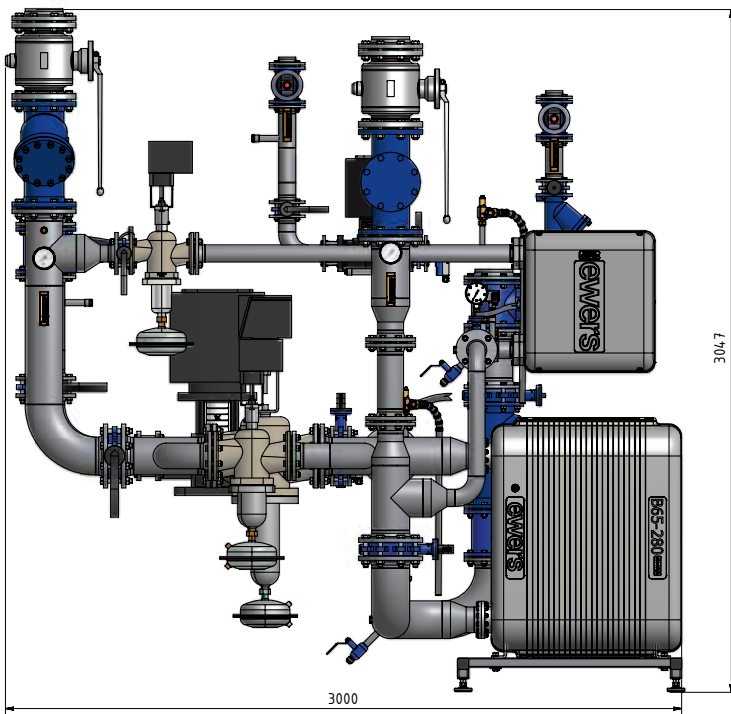


The ewers plant – Modular design 3 MW consisting of full load module 2.5 MW and partial load module 0.5 MW



The gas sphere of Stadtwerke Gütersloh
Photo: Hewa

PRINTING PLANT WASTE HEAT (≈ 3 MW) PUT TO GOOD USE – GAS PREHEATING FOR THE CITY OF GÜTERSLOH

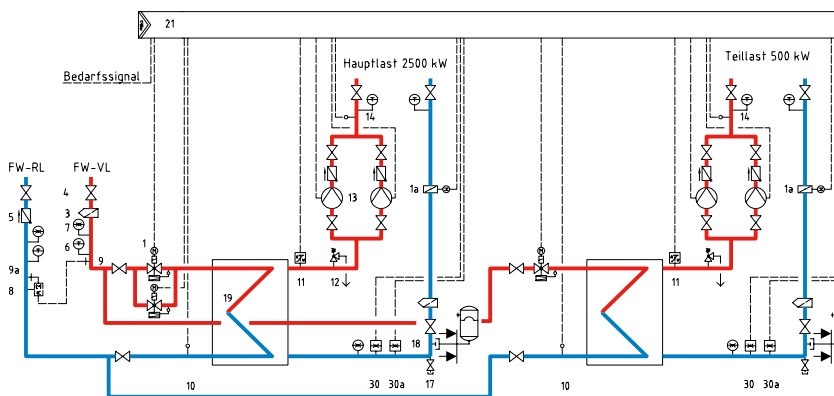


Drawing of the district heating transfer station

The ewers solution

District heating transfer station

- Power: 3 MW
 - Full load module 2,5 MW
 - Partial load module 500 kW
- Nominal width: DN150 / DN150



Hydraulic diagram

We reserve all rights for this technical document. The copyright notice DIN 16016 applies.
 Technical changes, errors and misprints excepted. Photos and illustrations may contain optional accessories.

© ewers Heizungstechnik GmbH | Status: 05/2021